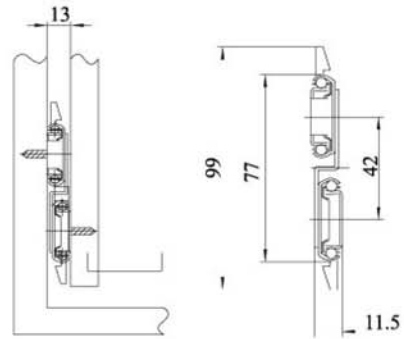
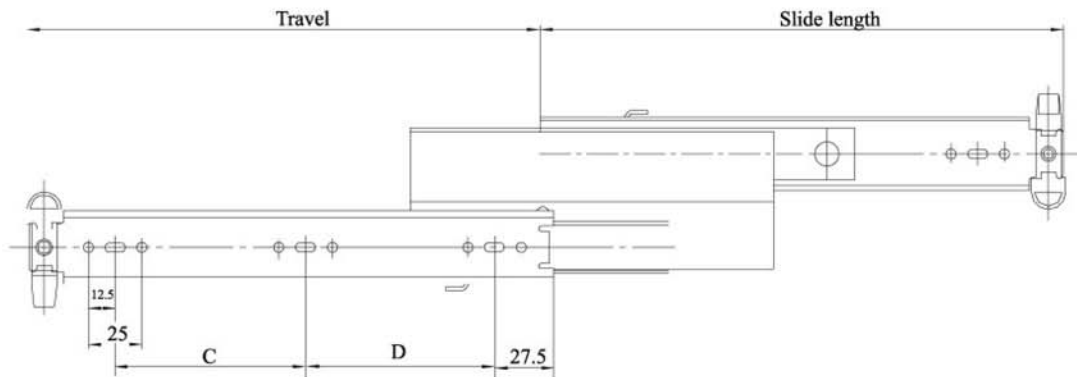




Model:3502  
 Size:10-24"  
 Weight capacity:68kg(150lbs)/pair  
 Material:Work harden cold rolled steel,  
 DOMIXISA/K18,stainless steel.  
 Finish:Electro-Zinc plated with clear,blue.  
 Electrophoresis(black)  
 Application:file drawers,lateral drawers and  
 deep kitchen drawers,tool drawers.



Features:  
 Side mounted  
 Over travel  
 Detent-In



Cat No	Slide length
3502.10"	250
3502.12"	300
3502.14"	350
3502.16"	400
3502.18"	450
3502.20"	500
3502.22"	550
3502.24"	600